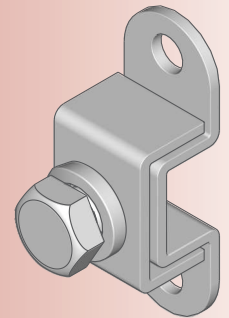
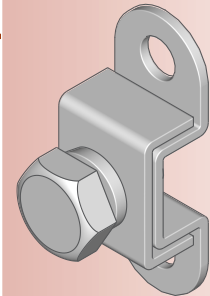
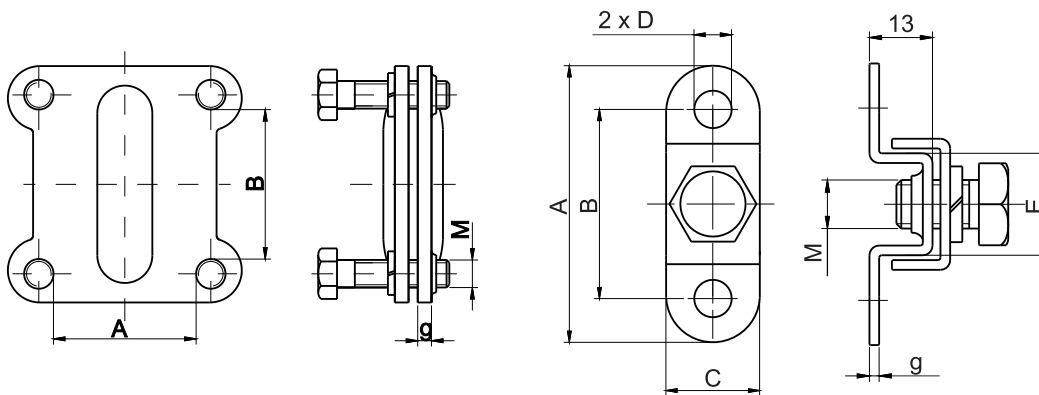


**4- SCREW CLAMP**  
4.405. ...

**GROUND CLAMP**



NAME	MATERIAL	A	B	C	D	E	g	M	CAT. NUMBER
Ground clamp	Steel - zinc plated	53	39	18	Ř6,5	19	2	M8x16	4.406.001
		62	42	21	Ř8,5	22	2,5	M10x16	4.406.002
4-Screw clamp	Steel - zinc plated	20	25	-	-	-	3	M6	4.405.001
		25	30	-	-	-	3	M6	4.405.002
		30	30	-	-	-	3	M6	4.405.003
		35	40	-	-	-	5	M8	4.405.004
		40	40	-	-	-	5	M8	4.405.005
Terminals type T, C, I/m, I/D	Cooper - tin plated								T, C, I/m, I/D