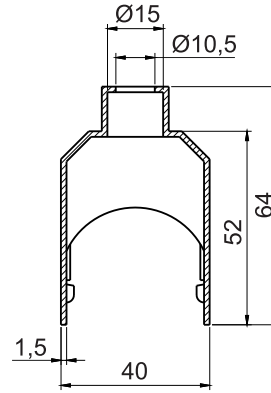
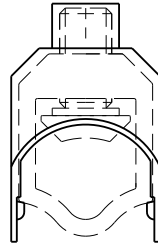
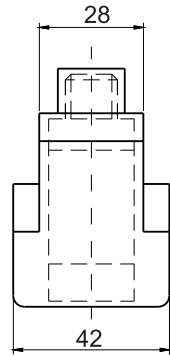
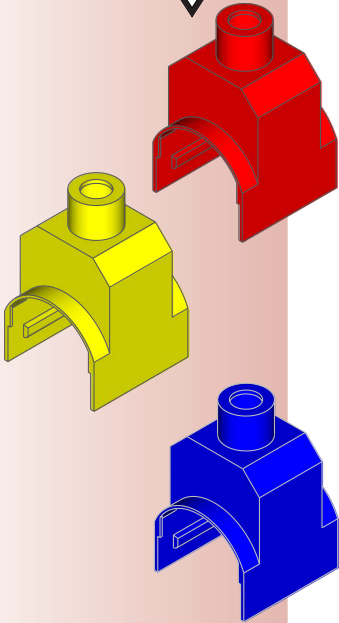
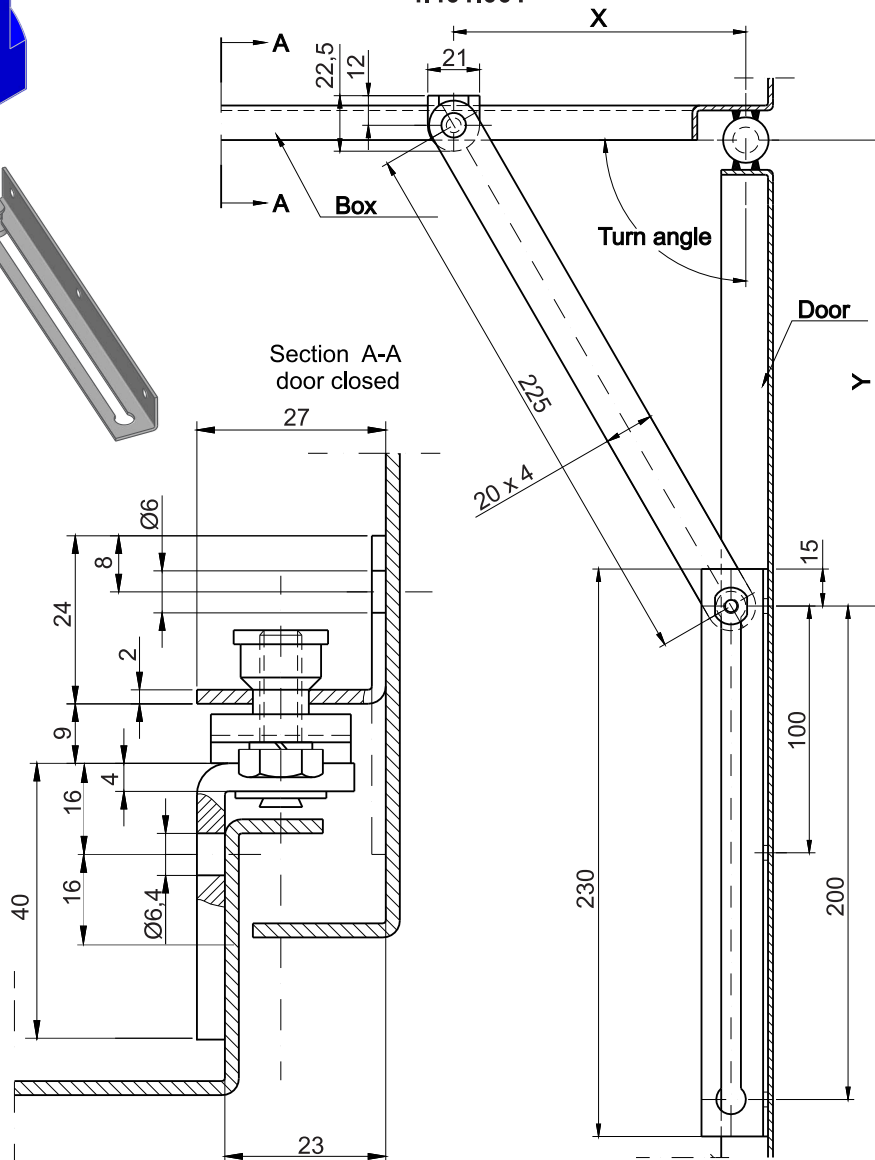
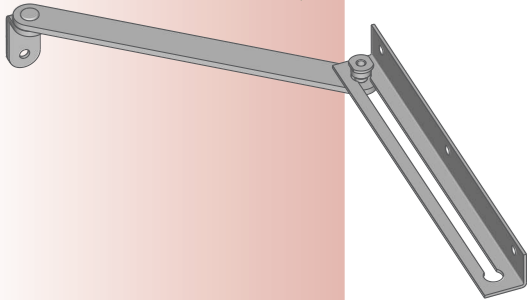


V-KLEMA COVERS



NOTICE:
V-klema covers can be used
with screw clamps type:
50-240SW i 70-300SW.

DOOR BLOCKADE 4.401.001



CLAMPS

NAME	MATERIAL	TURN ANGLE	DIMENSION [mm]		MIN. DOOR WIDTH	CAT. NUMBER
			X	Y		
Door blockade	Steel - zinc plated	90°	140	176	399	4.401.001
		105°	120	162	385	
		120°	110	149	372	
		135°	100	144	367	
V-klema cover	PA6-polyamide, colours: red, yellow, blue,					