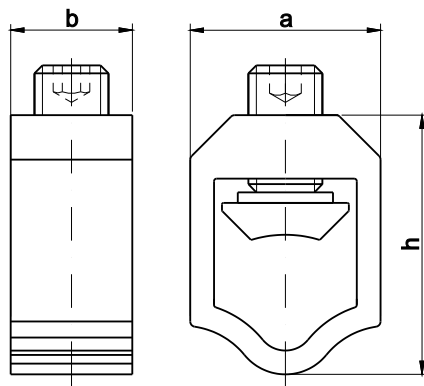
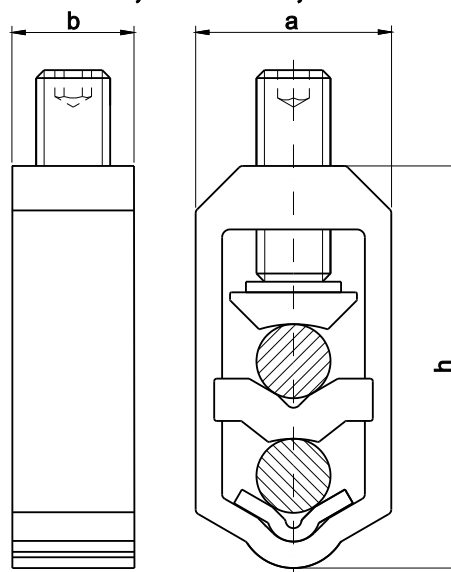
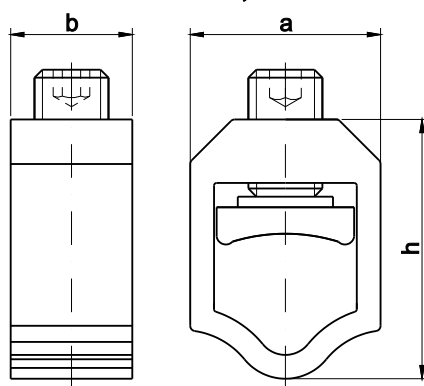
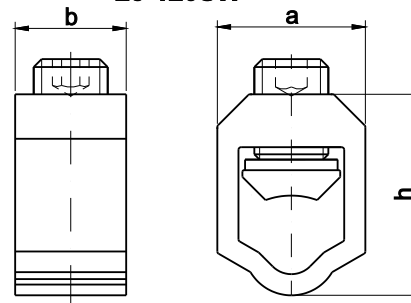
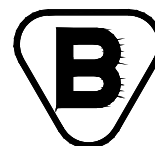

**35-240SW, 50-240SW**

**2/25-120SW, 2/50-240SW, 2/70-300SW**

**70-300SW, 95-300SW**

**25-120SW**


- sm - multiwire sector shaped conductor
- se - sector shaped conductor
- rm - round multiwire conductor
- re - round conductor



NAME	CROSS - SECTIONS [mm <sup>2</sup> ]				NOMINAL CROSS-SECTIONS [mm <sup>2</sup> ]	TIGHTENING TORQUE [Nm]	DIMENSIONS		
	sm	se	rm	re			a	b	h
25-120SW	25-120	25-120	16-95	16-95	95	20	28	18,5	38
35-240SW	35-185	35-240	25-150	25-95	120	30	36	23	49
50-240SW	50-185	50-240	35-95	35-120	120	30	36	23	49
70-300SW	70-240	95-300	50-120	70-150	150	30	36	23	49
95-30-SW	70-240	95-300	50-185	70-240	150	30	37	23	54
2/25-120SW	25-120	25-120	16-95	16-95	95	20	28	18	58
2/50-240SW	35-185	35-240	35-120	35-150	150	30	37	23	76
2/70-300SW	70-240	95-300	50-120	70-150	150	30	37	23	76

NAME	COMPONENTS	MATERIAL
Screw clamps V-Klema: 50-240SW, 70-300SW, 2/50-240SW, 2/25-120SW, 25-120SW, 95-300SW	Frame	Aluminium (ALMgSi)
	Compression plate	Brass - Tin plated
	Screw Sw6	Steel - Tin plated

•SW - hexagon head socket

•SCREW CLAMPS HAVE SAFETY SIGN 'B' ACC. TO PN-EN 60947-7-1, (IEC 60947-7-1) STANDARD.